

## 5.2 cu. ft. Front Load Washer

- 5.2 cu. ft. Mega Capacity
- TurboWash® Technology
- AI DD™ Fabric Sensor / Smart Pairing™
- 12 Cycles / 13 Options
- Allergiene™ Cycle
- ColdWash™ Option
- Direct Drive Motor (10-Year Limited Warranty)
- NeveRust™ Stainless Steel Tub
- Drum Light



### COLOR AVAILABILITY

● WM8900HBA – Black Steel

### CAPACITY & MATCHING DRYERS

Capacity (cu. ft.)	5.2
Matching Electric Dryer	DLEX8900B
Matching Gas Dryer	DLGX8901B

### APPEARANCE

Electronic Controls with LED Display	Yes
Hard Buttons	Yes
Touch Buttons	Yes
Dial-A-Cycle™	Yes

### ENERGY & WATER

ENERGY STAR® Certified	Yes
CEE Qualified	Tier 3
Integrated Modified Energy Factor (IMEF)	3.1
Integrated Water Factor (IWF)	2.9

### WASH CYCLES

Number of Cycles	12
Wash Cycles	Normal, Perm. Press, Heavy Duty, Delicate, Towels, Speed Wash, Sportswear, Bedding, Tub Clean, Bright Whites™, Allergiene™, Downloaded

### WASH OPTIONS

Number of Options	13
Options	TurboWash, Steam, Pre-wash, Remote Start, Delay Wash, Wi-Fi, Add Item, Extra Rinse, Control Lock, Drum Light, ColdWash, Spin Only, Signal

### WASH DETAILS

Internal Heater	Yes
Number of Wash / Rinse Temps	5
Wash / Rinse Temps	Extra Hot, Hot, Warm, Cold, Tap Cold
Number of Spin Speeds	5
Spin Speeds	Extra High, High, Medium, Low, No Spin
Max RPM	1,300
Water Levels	Load Sensing
Number of Soil Levels	5
AAFA Certified	Yes

### FABRIC CARE

AI DD™	Yes
Wash Technology	TurboWash® 2.0
Steam Technology	Yes
Allergiene™ Cycle	Yes
Sanitary Cycle	No
ColdWash™ Option	Yes
AI Fabric Sensor	Yes

### CONVENIENCE

TrueBalance™ Anti-Vibration System	Yes
Dispenser Type	4-Tray (Prewash, Main Wash with Liquid Detergent Cup, Bleach, Fabric Softener)
End of Cycle Signal	Yes
LoadSense	Yes
Control Lock	Yes
Auto Suds Removal	Yes
4 Adjustable Leveling Legs	Yes
ADA Compliant	No

### SMART FEATURES

Wi-Fi Enabled	Yes
ThinQ® Technology	Yes
ThinQ Care	Yes
Voice Control	Google Assistant, Amazon Alexa
SmartDiagnosis™	Yes
Remote Start (On / Off)	Yes
Remote Monitoring & Notifications	Yes

### MOTOR AND AGITATOR

Motor Type	Inverter Direct Drive Motor
Axis	Horizontal

### MATERIALS AND FINISHES

NeveRust™ Stainless Steel Drum	Yes
Door / Rim	Glass / Chrome
Door Cover	Black Tinted Round Cover

### TECHNICAL SPECS

Electrical Requirements	120V, 60 Hz, 10 Amps
Type	Electric
Power Outlet Location	Within 60" of Either Side
Plug Type	3-Prong (Cord Attached to Unit)
Min. / Max. Water Pressure	20 - 120 psi

### INCLUDED ACCESSORIES

Drain Hose, Non-Skid Pads, Hole Caps, Wrench, Tie Strap, Elbow Bracket (for Securing Drain Hose)

### OPTIONAL ACCESSORIES

Pedestal	WDP5B
Pedestal (W x H x D)	29" x 13 5/8" x 29 1/2"
LG Sidekick™ Pedestal Washer	WD200CB
LG Sidekick™ Pedestal Washer (W x H x D)	29" x 14 1/8" x 30 7/8"
Stacking Kit	KSTK2

### DIMENSIONS

Product (W x H x D)	29" x 40 3/4" x 33"
Depth with Door Open	57 1/2"
Cutout Dimensions (W x H x D)	31" x 42" x 37"
Carton Dimensions (W x H x D)	31 3/8" x 44 3/4" x 33 3/4"
Approx. Weight (Product / Carton)	225 lbs. / 251.5 lbs.

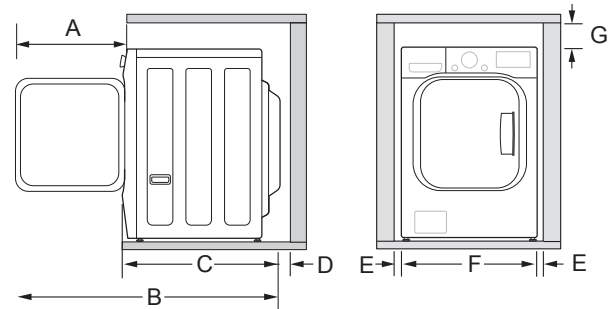
### LIMITED WARRANTY

Parts and Labor	1 Year
Direct Drive Motor	10 Years (Parts Only)
Drum	3 Years (Parts Only)

### DIMENSIONS / CLEARANCES

#### FLOOR INSTALLATION

To ensure sufficient clearance for water inlet hoses, drain hose and airflow, allow minimum clearances of at least 1 inch (2.5 cm) at the sides and 4 inches (10 cm) behind the washer. Be sure to allow for wall, door, or floor moldings that may increase the required clearances.

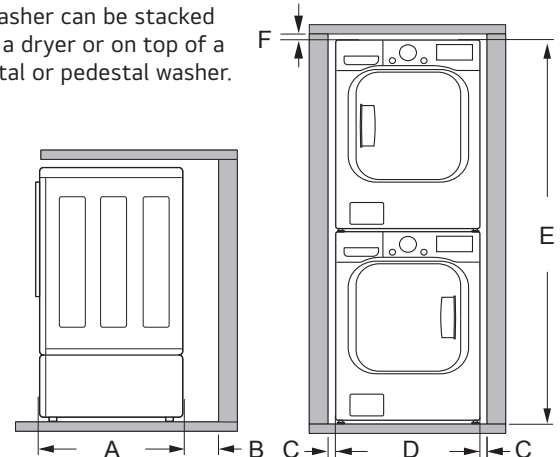


### DIMENSIONS / CLEARANCES

A	25 3/4" (65.5 cm)
B	58 5/8" (149 cm)
C	33 1/4" (83.5 cm)
D	4" (10 cm)
E	1" (2.5 cm)
F	29" (73.7 cm)
G	1/4" (0.5 cm)

#### STACKING OR PEDESTAL INSTALLATION

The washer can be stacked under a dryer or on top of a pedestal or pedestal washer.



### DIMENSIONS / CLEARANCES

A	32 7/8" (83.5 cm)
B	4" (10 cm)
C	2" (5 cm)
D	29" (73.7 cm)
E	81 5/8" (207.3 cm)
F	1/4" (0.5 cm)

ASTHMA & ALLERGY FRIENDLY Mark is a Registered Trade Mark of the ASTHMA AND ALLERGY FOUNDATION OF AMERICA and ALLERGY STANDARDS LTD.



© 2024 LG Electronics USA, Inc. All rights reserved. "LG Life's Good" is a registered trademark of LG Corp. All other product and brand names are trademarks or registered trademarks of their respective owners. Design, features and specifications are subject to change without notice. Non-metric weights and measurements are approximate. Some features may require Internet access. Content and services may vary by product and are subject to change without notice.